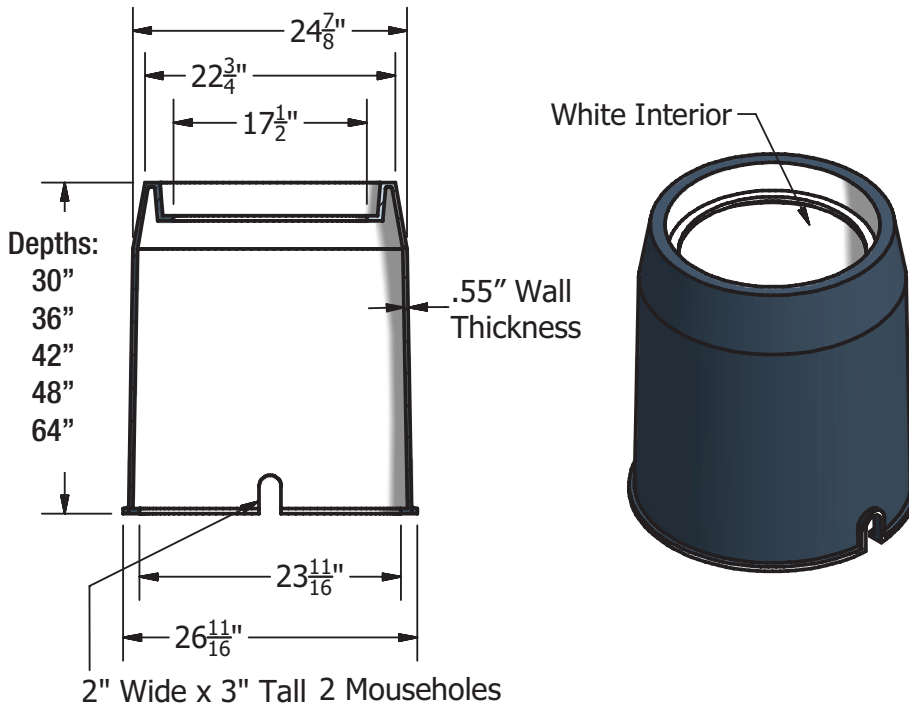


Heavywall

0020-Max

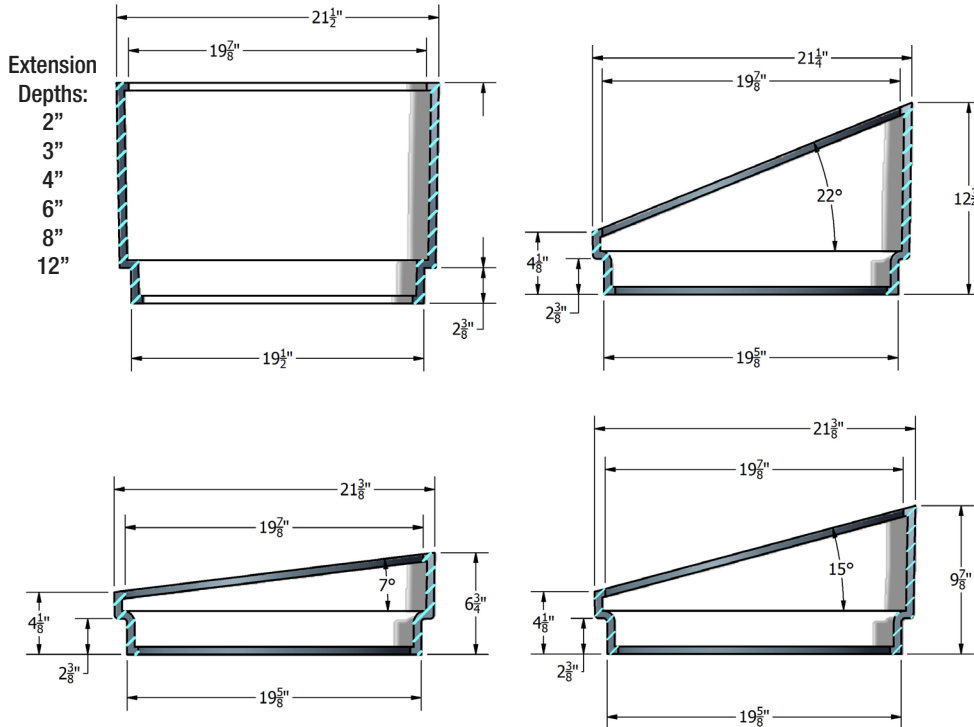


BODY:

Material: Polyethylene Blend
 Model: 20" Dia.
 Weight: 30" Depth: 33 lbs
 36" Depth: 29 lbs
 42" Depth: 40 lbs
 48" Depth: 50 lbs
 64" Depth: 63 lbs
 Mouseholes: 2

EXTENSION:

Material: Polyethylene Blend
 Weight: 2" Depth: 5 lbs
 3" Depth: 6 lbs
 4" Depth: 7 lbs
 6" Depth: 7 lbs
 8" Depth: 8 lbs
 12" Depth: 10 lbs
 7° Off Grade: 9 lbs
 15° Off Grade: 13 lbs
 22° Off Grade: 15 lbs



For use in non-vehicular traffic situations only.

We do not recommend installation in concrete or asphalt.

Actual load rating is determined by the box and cover combination. Weights and dimensions may vary slightly.

*Cover comes standard with permanent markings for manufacturer, load rating, model size and manufacturing location.

Contact your Oldcastle Enclosure Solutions Distribution Center for specific information and additional options.

Heavywall
0020-Max

Options:

Available Plastic Covers:

MSIL1 Plastic Cover (for use with cast iron frame)

Available Cast Iron Covers:

Flush Cast Iron Cover with Cast Iron Frame (2 Piece)

T Cast Iron Cover with Cast Iron Frame (2 Piece)

Flat Frame Cast Iron Cover

Drop In (for use with cast iron frame)

Add On Options for Plastic Covers:

Touch Read Hole

ERT Holder

Add On Options for Cast Iron Covers:

Touch Read Hole

Locking Options for Plastic Covers:

Penta Nut (Small or Large)

Locking Options for Cast Iron Covers:

Penta Nut (Small or Large)

Add On Options for Unit:

Thermo-Pak



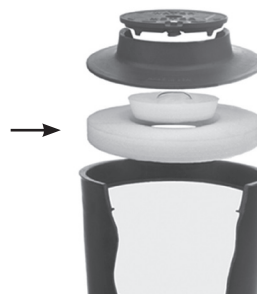
MSIL1



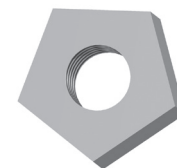
Cast Iron Cover



Cast Iron Frame



Thermo Pak



Penta Nut Detail

Raw Material Specifications:

- Meter Boxes are high-density Polyethylene, one-piece molded construction
- Wall thickness minimum .550"
- Vertical load rating minimum 15,000 lbs.
- Sidewall loading of 200 lb side load, applied with a 4" X 4" plate.
- Multi-layer wall construction

- Black exterior surface to provide UV protection
- Gray foaming for strength and insulating value
- White interior surface for ease of meter reading
- Manufactured by Oldcastle Precast Enclosure Solutions

Cast Iron Meter Ring and Lid Specifications:

- Made of cast iron conforming to ASTM A48 standards and marked with country of origin
- Coated with a factory applied water based asphalt paint
- Castings are ground smooth and cleaned by shot blasting, uniform quality, free from sand holes, shrinkage, cracks and other surface defects, with a dimensional tolerance of +/- 1/16" per foot based on the accepted foundry tolerances outlined in the Iron Castings Handbook published by the American Foundry Society.

Product Load Rating:



Medium Duty : Non-Deliberate Traffic

Note:

Actual load rating is determined by the box and cover combination. Weights and dimensions may vary slightly. All information contained on this sheet is current at the time of printing. Oldcastle Precast, Inc. reserves the right to discontinue or update product information without notice.

